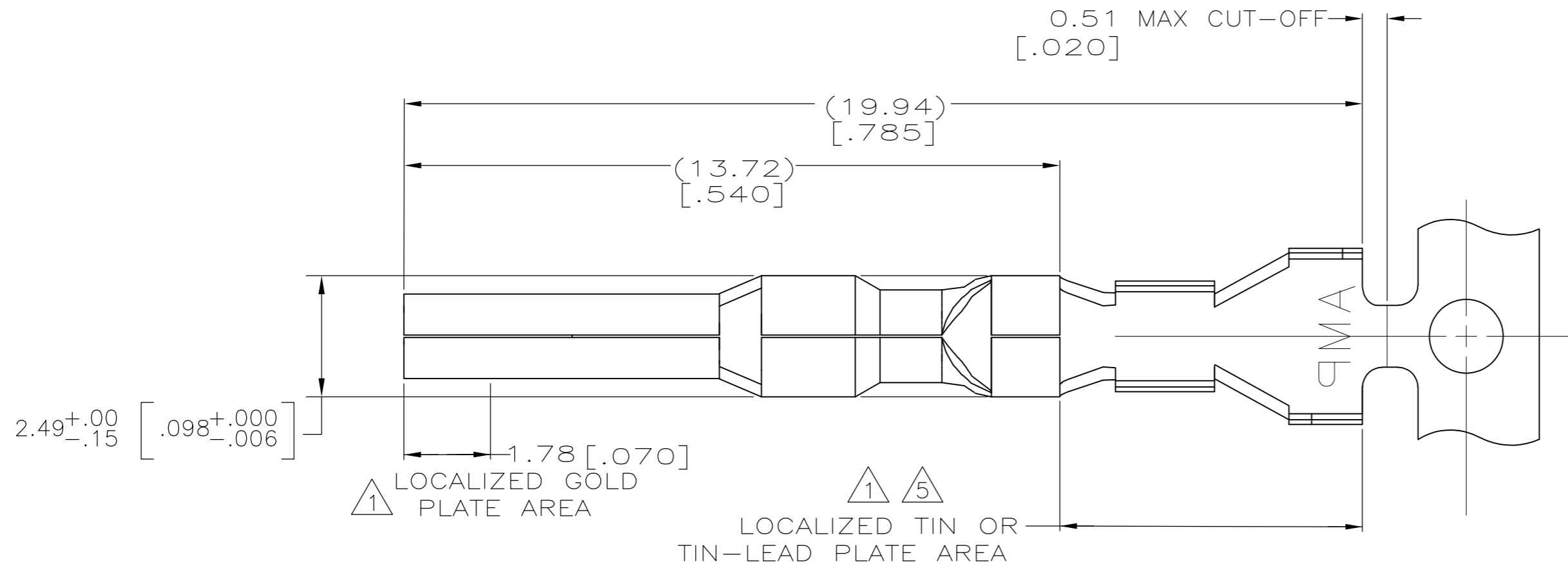
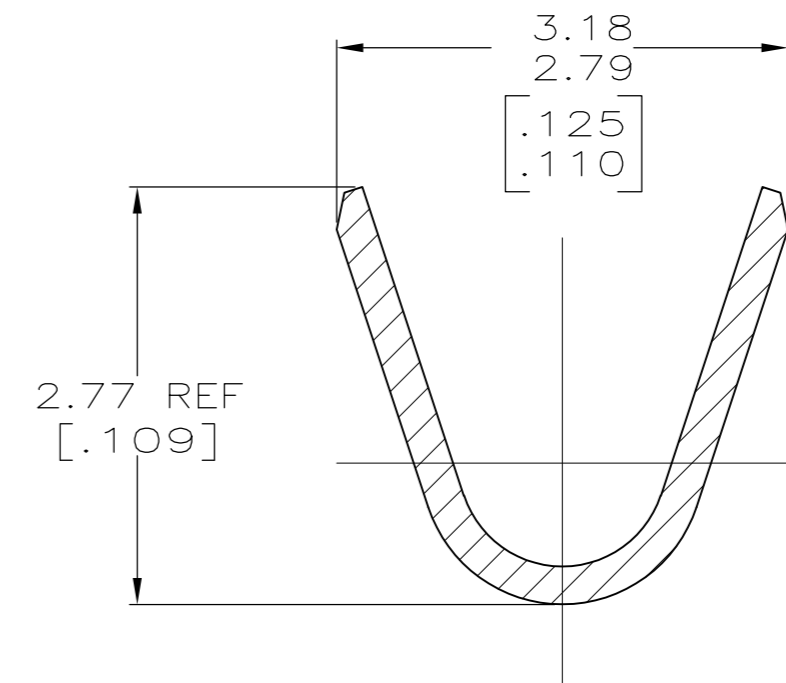
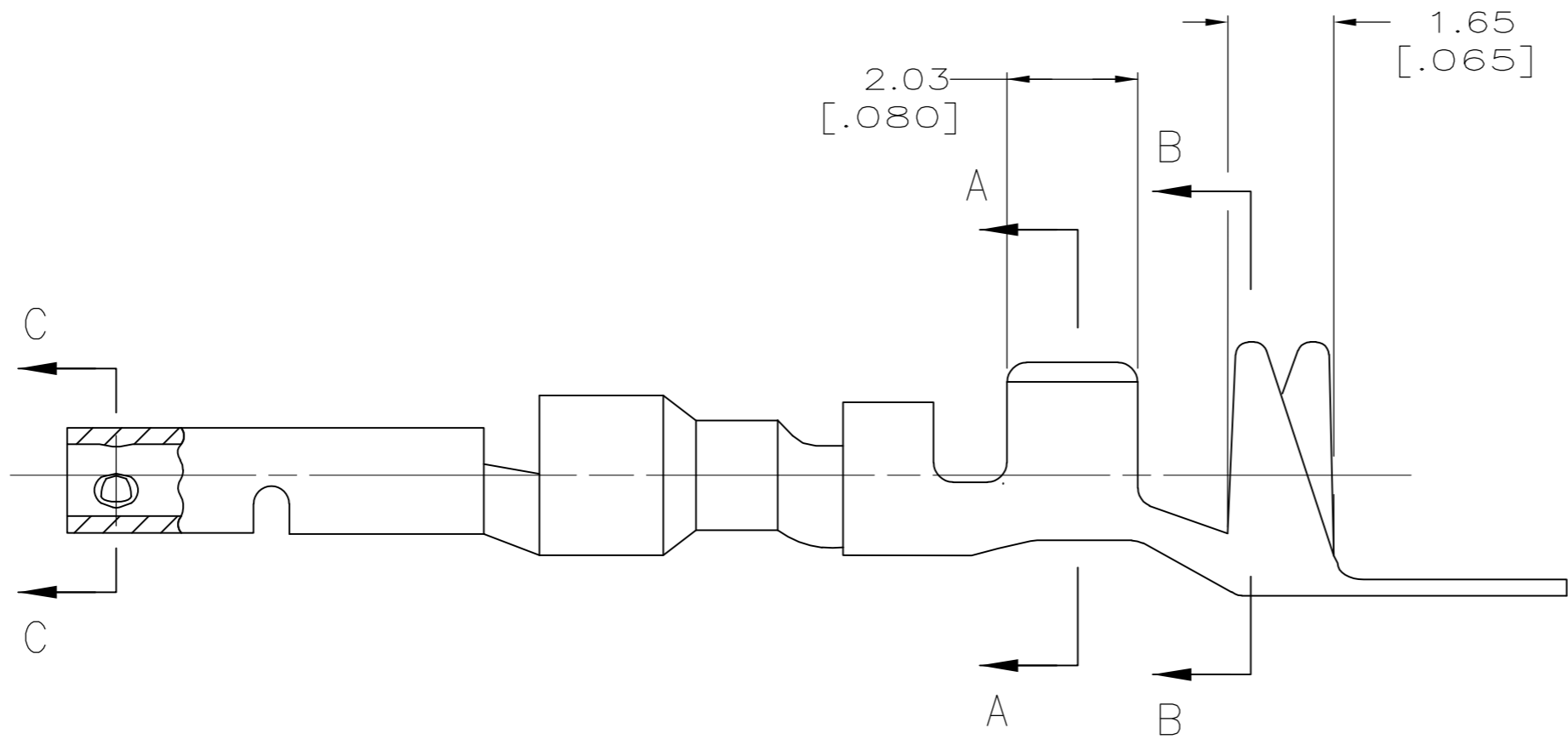


THIS DRAWING IS UNPUBLISHED. RELEASED FOR PUBLICATION  
 © COPYRIGHT - By - ALL RIGHTS RESERVED.

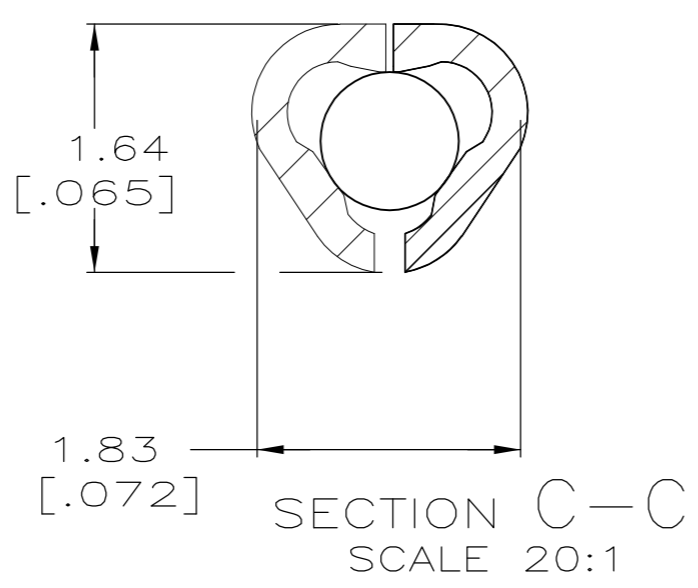
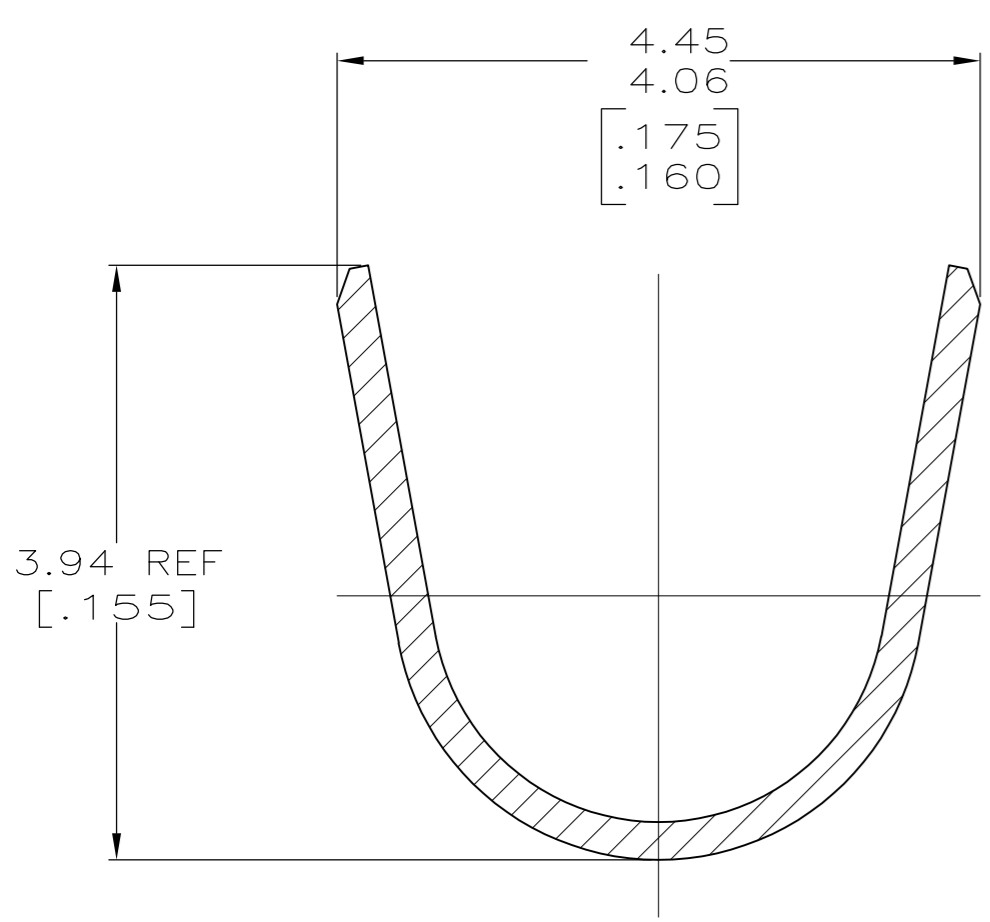
LOC	DIST	REVISIONS					
CM	00	P	LTR	DESCRIPTION	DATE	DWN	APVD
		G		REVISED PER EC 0G3B-0387-03	21MAY03	SC	CJ
		H		REVISED PER ECR-13-011437	10OCT2013	AV	RP



- ① 0.00076 [.000030] MIN GOLD IN LOCALIZED GOLD PLATE AREA AND 0.00254-0.00635 [.000100-.000250] BRIGHT TIN-LEAD IN LOCALIZED TIN-LEAD PLATE AREA OVER 0.00127 [.000050] MIN NICKEL.
- 2. WIRE RANGE: 0.5-1.4MM<sup>2</sup> (20-16 AWG).
- 3. INSULATION RANGE: 2.01-3.20 [.079-.126] DIA.
- 4. DIMENSIONS IN BRACKETS ARE IN INCHES.
- ⑤ 0.00076 [.000030] MIN GOLD IN LOCALIZED GOLD PLATE AREA AND 0.00254-0.00635 [.000100-.000250] BRIGHT TIN IN LOCALIZED TIN PLATE AREA OVER 0.00127 [.000050] MIN NICKEL.



SECTION A-A  
SCALE 20:1



SECTION B-B  
SCALE 20:1

SECTION C-C  
SCALE 20:1

⑤	0.25 [.010] BRASS	1-794223-0
①	0.25 [.010] BRASS	794223-3
PRE-TIN	0.25 [.010] BRASS	794223-1

THIS DRAWING IS A CONTROLLED DOCUMENT.		DWN S. CARPENTER 21MAY2003	<b>TE</b> TE Connectivity	
DIMENSIONS: INCHES		CHK C. JONES 21MAY2003		
TOLERANCES UNLESS OTHERWISE SPECIFIED:		APVD C. JONES 21MAY2003	NAME SOCKET, MINI UNIVERSAL MATE-N-LOK™ 2	
0 PLC ±		PRODUCT SPEC	SIZE A2	
1 PLC ±		APPLICATION SPEC	CAGE CODE 00779	
2 PLC ±		WEIGHT	DRAWING NO C=794223	
3 PLC ± 0.30 [.012]		CUSTOMER DRAWING	RESTRICTED TO -	
4 PLC ±		SCALE 10:1	SHEET 1 of 1	
ANGLES ±		SCALE 10:1	REV H	
FINISH SEE TABLE				